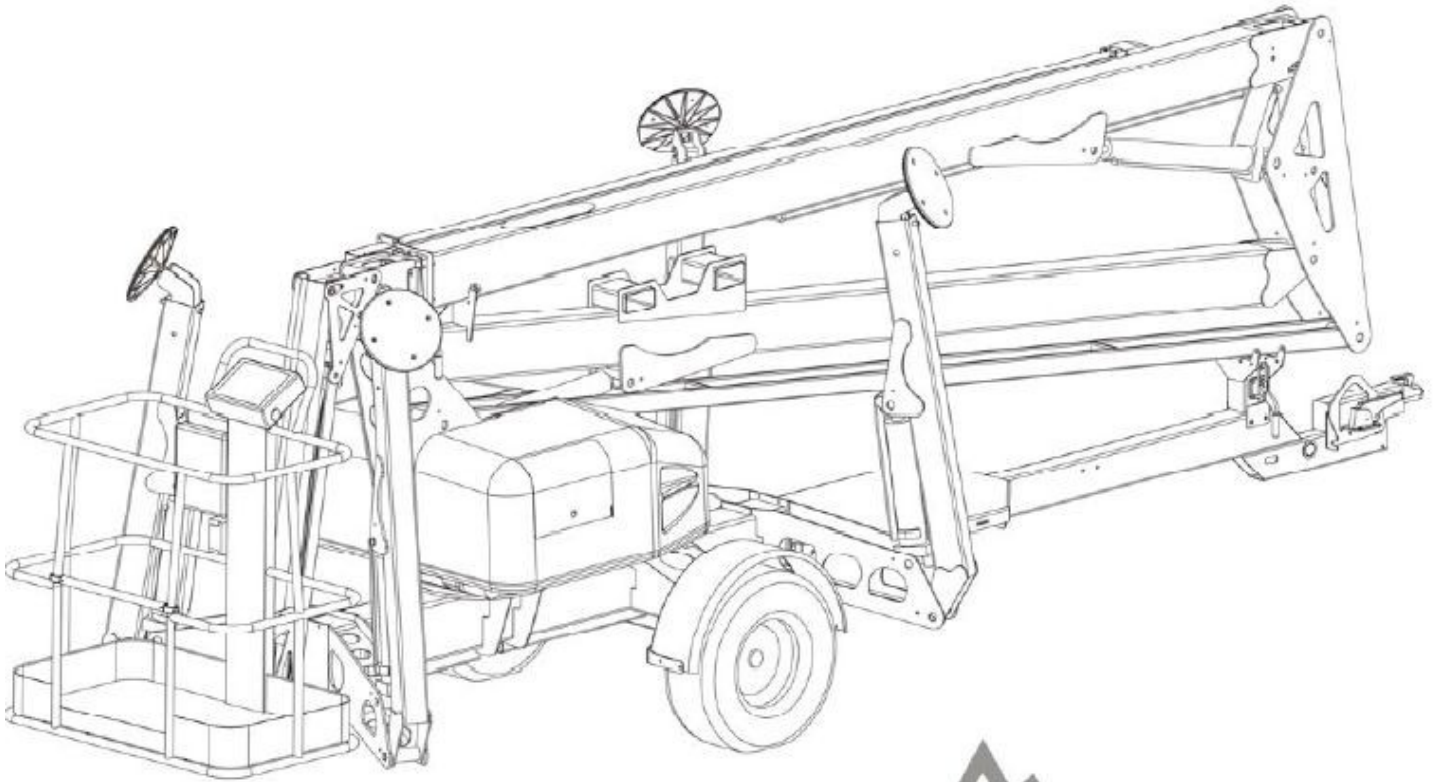


# 5533A / HTA 19 P



**Grants Rental**

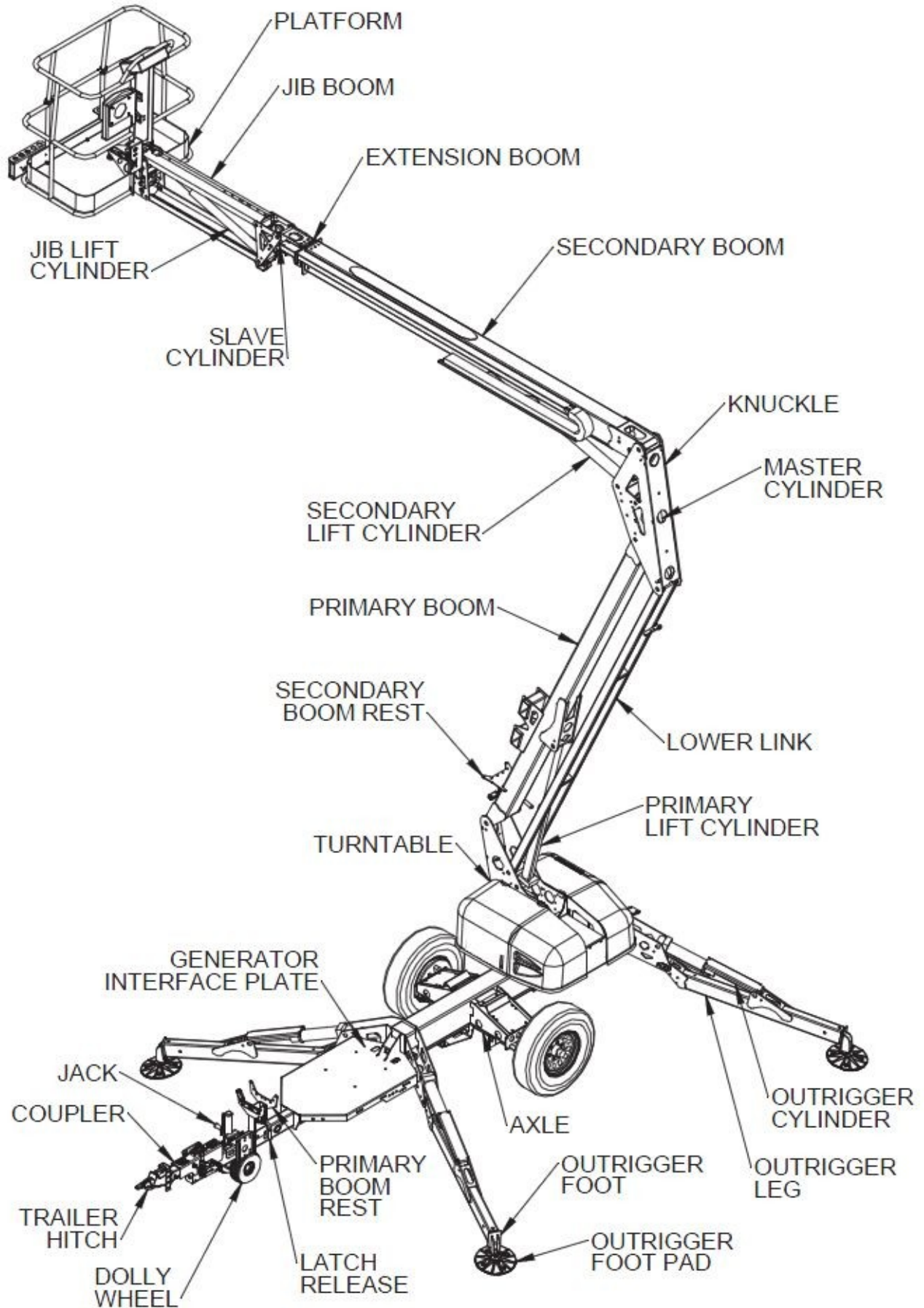
**10 Bedford Park**

**Bridgewater, Massachusetts 02324**

**Phone: 508-279-0950**

**[www.GrantsRental.com](http://www.GrantsRental.com)**

# PRIMARY MACHINE COMPONENTS



## 2 SPECIFICATIONS

The following information is based on ideal working conditions. Machine performance may vary based on work environment and on machine options.

Only one boom function is permitted at a time, this function is only operable as long as the boom is within the safe operating zone. Once a boom motion exceeds its safe operating limit, that function ceases, another boom function within the safe operating zone must be selected.

Refer to Figure 2-1.

### RANGE OF MOTION

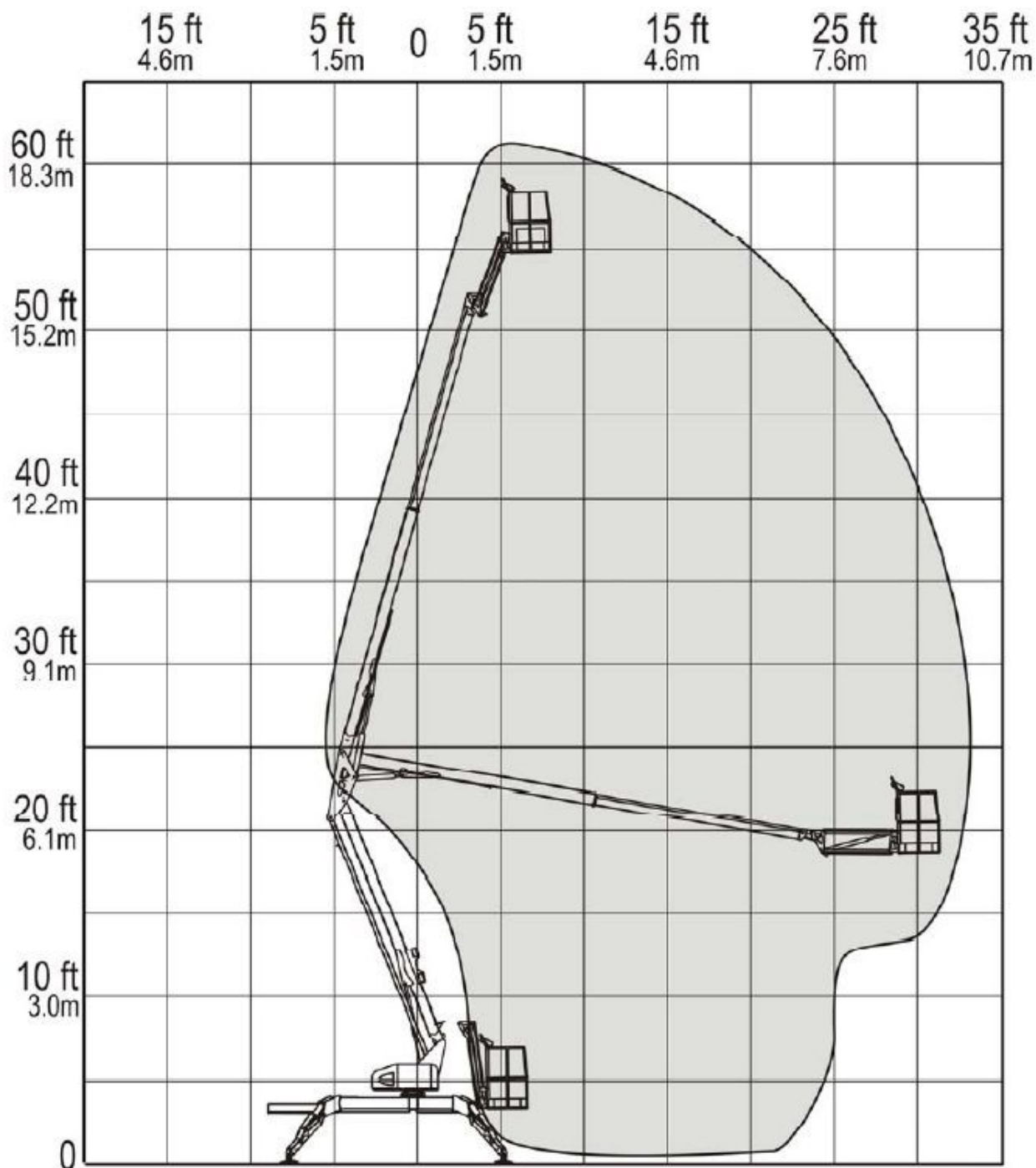


Figure 2-1. Range of Motion



<b>SPECIFICATIONS</b>	
<b>Maximum Working Height</b>	61 ft 3 in (8.8 m)
<b>Maximum Platform Height</b>	55 ft 3 in (16.8 m)
<b>Up and Over Height</b>	23 ft 1 in (7.0 m)
<b>Maximum Horizontal Outreach</b>	
From Centerline	33 ft 5in (10.2 m)
From Outrigger Footpad Edge	27 ft 4in (8.2 m)
<b>Rated Platform Capacity</b>	
Without Platform Rotation	500 lb (227 kg)
With Platform Rotation	440 lb (200 kg)
<b>Maximum Occupants</b>	2
<b>Total Weight</b>	
Without Options	4,800 lb (2,177 kg)
Drive and set option adds 250 lbs (113 kg), Engine option adds 190 lbs (86 kg)	
All other options add 150 lbs (68 kg) to weight.	
<b>Turntable Rotation</b>	700° Non-Continuous
<b>Leveling Capability</b>	12.5°
<b>Platform Dimensions</b>	
Height	3 ft 7 in (1.1 m)
Length	2 ft 6 in (0.8 m)
Width	4 ft 0 in (1.2 m)
<b>Platform Rotation / Type (Optional)</b>	120° / Manual
<b>Machines Stowed Dimensions</b>	
Height	6 ft 6 in (2.0 m)
Length	22 ft 11 in (7.0 m)
Width	5 ft 5 in (1.7 m)
<b>Jib Dimensions</b>	
Length	4 ft 3 in (1.3 m)
Vertical Motion	150° (+70° / -80°)
<b>Outrigger Footprint (To Center of Pad)</b>	
Length	12 ft 11 in (3.9 m)
Width	12 ft 9 in (3.9 m)
Footpad Diameter	12.5 in (0.3 m)
<b>Parking Brake</b>	Mechanical
<b>Towing Brake</b>	Hydraulic Surge Mechanical Electrical
<b>Rated Towing Speed</b>	65 mph (105 km/h)
<b>Tire Size</b>	ST 225/75 R15D
<b>Control System</b>	24V DC
<b>Battery</b>	4 x 6V 245 amp-hr

## SPECIFICATIONS (CONTINUED)

<b>Chargers</b>	110 Volt 60 Hz 220 Volt 50 Hz
<b>Hydraulic Pressure</b>	3,000 psi (207 bar) (20,684 kPa)
<b>Reservoir Capacity</b>	5.6 Gallons (21.2 L)
<b>Hydraulic System Capacity</b>	8.5 Gallons (32.2 L)
<b>Hydraulic Oil (Standard)</b>	HVI AW32
<b>Maximum Decibel Level</b>	
DC Mode – Ground (Lower)	60 dBA
DC Mode – Platform (Upper)	55 dBA
Engine Mode – Ground (Lower)	70 dBA
Engine Mode – Platform (Upper)	65 dBA
<b>Function Speeds</b>	
<b>Boom - Primary</b>	
Primary, Up - Fast	18-22 sec
Primary, Up - Slow	48-52 sec
Primary, Down – Fast	18-22 sec
Primary, Down - Slow	150-154 sec
<b>Boom - Secondary</b>	
Secondary Up - Fast	14-18 sec
Secondary Up - Slow	29-33 sec
Secondary Down - Fast	24-28 sec
Secondary Down - Slow	105-109 sec
<b>Boom - Jib</b>	
Jib, Up – Fast	6-10 sec
Jib, Up - Slow	10-14 sec
Jib, Down - Fast	20-24 sec
Jib, Down - Slow	42-46 sec
<b>Extension Boom</b>	
Boom Extend - Fast	24-28 sec
Boom Extend - Slow	52-56 sec
Boom Retract - Fast	26-30 sec
Boom Retract - Slow	55-59 sec
<b>Turntable 700° Non Continuous Rotation</b>	
Turntable Rotation - Fast	200-204 sec
Turntable Rotation - Slow	246-250 sec
<b>Platform</b>	
Platform Compensation - Up - Fast	10-14 sec
Platform Compensation - Up - Slow	10-14 sec
Platform Compensation - Down - Fast	7-11 sec
Platform Compensation - Down - Slow	7-11 sec
<b>Outrigger (Auto Level)</b>	
Outrigger Extend	25-29 sec
Outrigger Retract	42-46 sec
<b>Localized Pressure per Outrigger</b>	25 psi (1.8 kg/cm <sup>2</sup> ) (176.5 kPa)
<b>Operating Temperature Range</b>	-20° to 110° Fahrenheit (-29° to 43° Celsius)