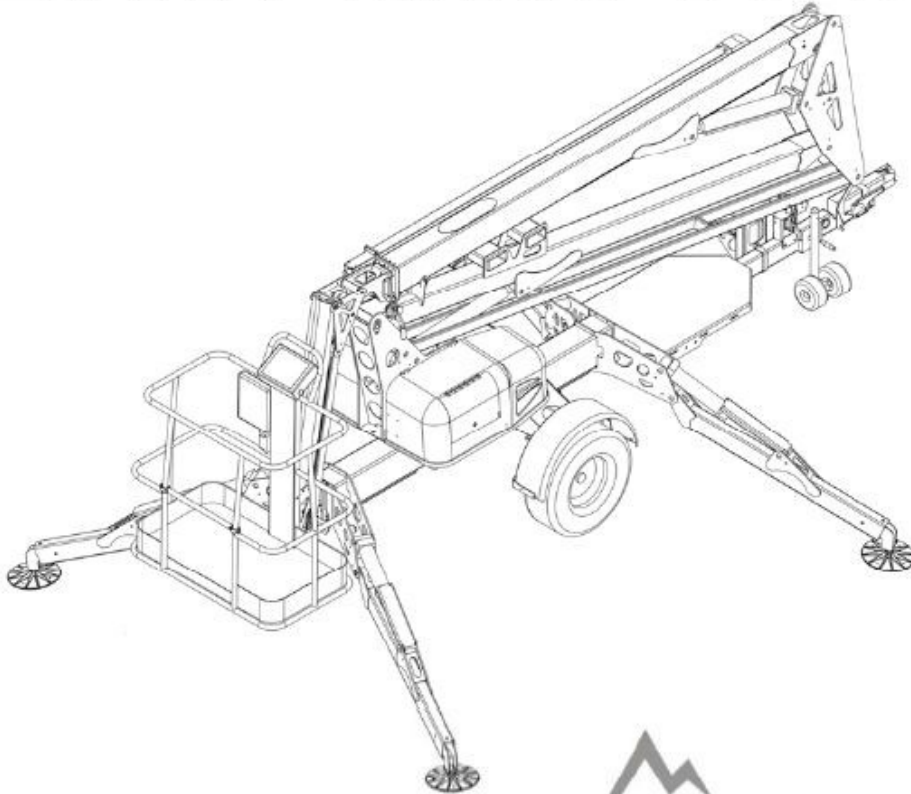




4527A / HTA 16 P



Grants Rental

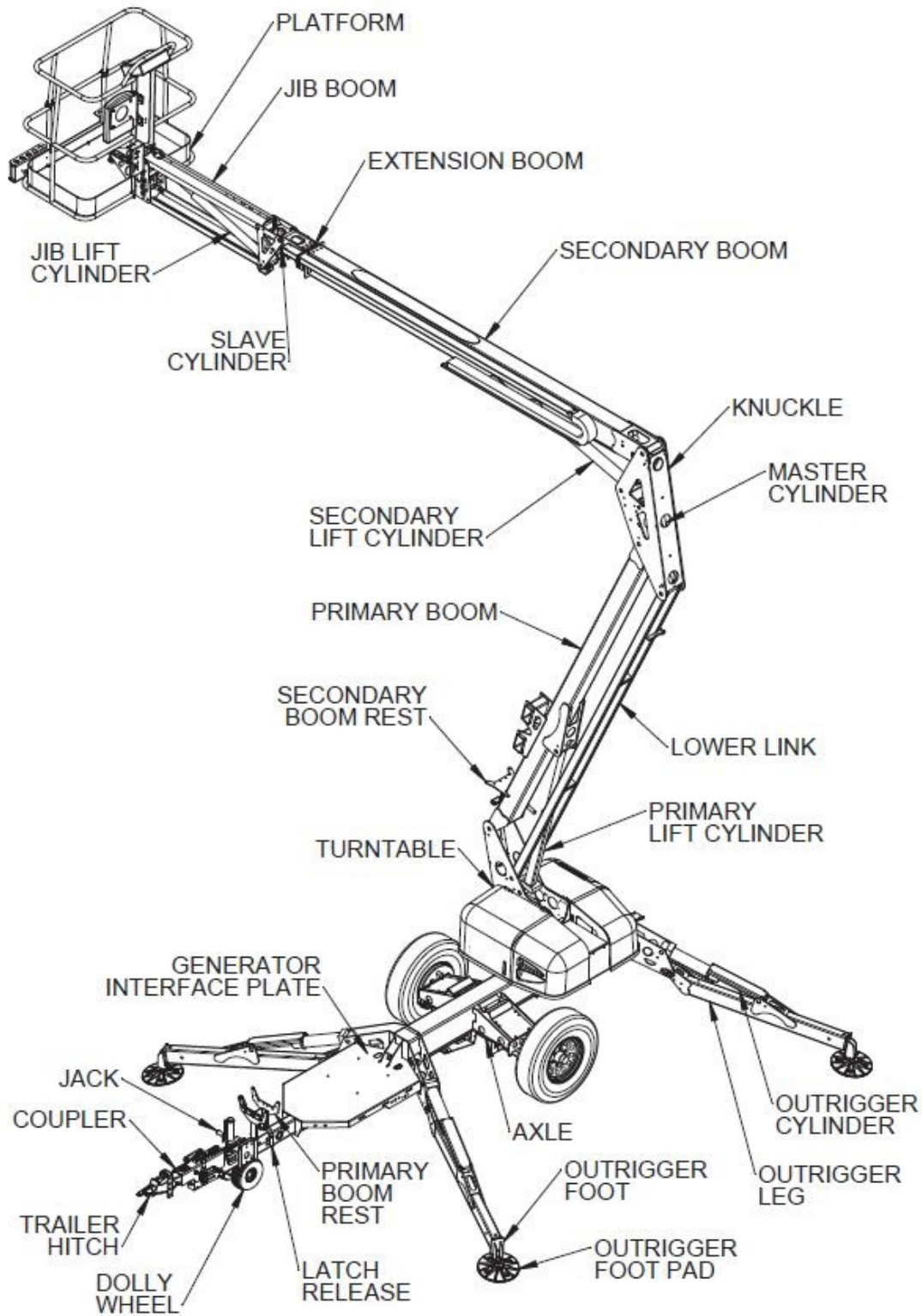
10 Bedford Park

Bridgewater, Massachusetts 02324

Phone: 508-279-0950

www.GrantsRental.com

PRIMARY MACHINE COMPONENTS



2 SPECIFICATIONS

The following information is based on ideal working conditions. Machine performance may vary based on work environment and on machine options.

Only one boom function is permitted at a time, this function is only operable as long as the boom is within the safe operating zone. Once a boom motion exceeds its safe operating limit, that function ceases, another boom function within the safe operating zone must be selected.

Refer to Figure 2-1.

RANGE OF MOTION

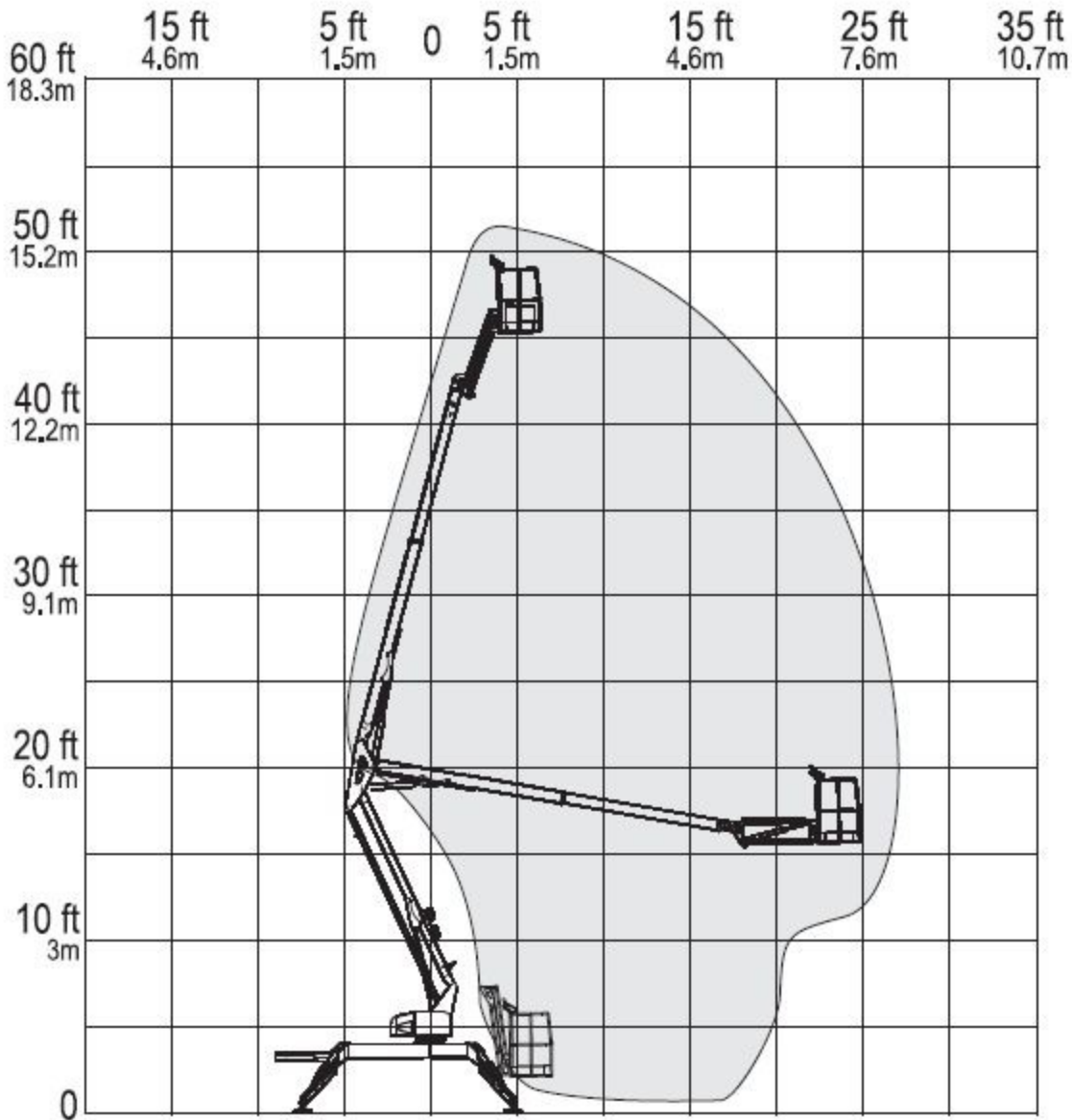


Figure 2-1. Range of Motion

SPECIFICATIONS

Maximum Working Height	51 ft (15.7 m)
Maximum Platform Height	45 ft (13.7 m)
Up and Over Height	20 ft 9 in (6.3 m)
Maximum Horizontal Outreach	
From Centerline	27 ft (8.2 m)
From Outrigger Footpad Edge	21 ft (6.4 m)
Rated Platform Capacity	
Without Platform Rotation	500 lb (227 kg)
With Platform Rotation	440 lb (200 kg)
Maximum Occupants	2
Total Weight	
Without Options	4,200 lb (1,905 kg)
Drive and set option adds 250 lbs (113 kg), Engine option adds 190 lbs (86 kg)	
All other options add 150 lbs (68 kg) to weight.	
Turntable Rotation	700° Non-Continuous
Leveling Capability	12.5°
Platform Dimensions	
Height	3 ft 7 in (1.1 m)
Length	2 ft 6 in (0.8 m)
Width	4 ft 0 in (1.2 m)
Platform Rotation / Type (Optional)	120° / Manual
Machines Stowed Dimensions	
Height	6 ft 5 in (2.0 m)
Length	19 ft 6 in (5.9 m)
Width	5 ft 5 in (1.7 m)
Jib Dimensions	
Length	4 ft 3 in (1.3 m)
Vertical Motion	150° (+70° / -80°)
Outrigger Footprint (To Center of Pad)	
Length	12 ft 4 in (3.8 m)
Width	11 ft 4 in (3.5 m)
Footpad Diameter	12.5 in (0.3 m)
Parking Brake	Mechanical
Towing Brake	Hydraulic Surge Mechanical Electrical
Rated Towing Speed	65 mph (105 km/h)
Tire Size	ST 225/75 R15D
Control System	24V DC
Battery	4 x 6V 245 amp-hr
Chargers	110 Volt 60 Hz 220 Volt 50 Hz

SPECIFICATIONS (CONTINUED)

Hydraulic Pressure	3,000 psi (207 bar) (20,684 kPa)
Reservoir Capacity	4.3 Gallons (16.3 L)
Hydraulic System Capacity	6.3 Gallons (23.9 L)
Hydraulic Oil (Standard)	HVI AW32
Maximum Decibel Level	
DC Mode – Ground (Lower)	60 dBA
DC Mode – Platform (Upper)	55 dBA
Engine Mode – Ground (Lower)	70 dBA
Engine Mode – Platform (Upper)	65 dBA
Function Speeds	
Boom - Primary	
Primary, Up - Fast	24-28 sec
Primary, Up - Slow	56-60 sec
Primary, Down – Fast	22-26 sec
Primary, Down - Slow	92-96 sec
Boom - Secondary	
Secondary Up - Fast	20-24 sec
Secondary Up - Slow	40-44 sec
Secondary Down - Fast	34-38 sec
Secondary Down - Slow	95-100 sec
Boom - Jib	
Jib, Up – Fast	8-12 sec
Jib, Up - Slow	14-18 sec
Jib, Down - Fast	24-28 sec
Jib, Down - Slow	42-46 sec
Extension Boom	
Boom Extend - Fast	24-28 sec
Boom Extend - Slow	52-56 sec
Boom Retract - Fast	28-32 sec
Boom Retract - Slow	60-64 sec
Turntable - 700° Non-Continuous Rotation	
Turntable Rotation - Fast	205-209 sec
Turntable Rotation - Slow	335-339 sec
Platform	
Platform Compensation - Up - Fast	8-12 sec
Platform Compensation - Up - Slow	8-12 sec
Platform Compensation - Down - Fast	6-10 sec
Platform Compensation - Down - Slow	6-10 sec
Outrigger (Auto Level)	
Outrigger Extend	16-20 sec
Outrigger Retract	30-34 sec
Localized Pressure per Outrigger	25 psi (1.8 kg/cm ²) (176.5 kPa)
Operating Temperature Range	-20° to 110° Fahrenheit (-29° to 43° Celsius)