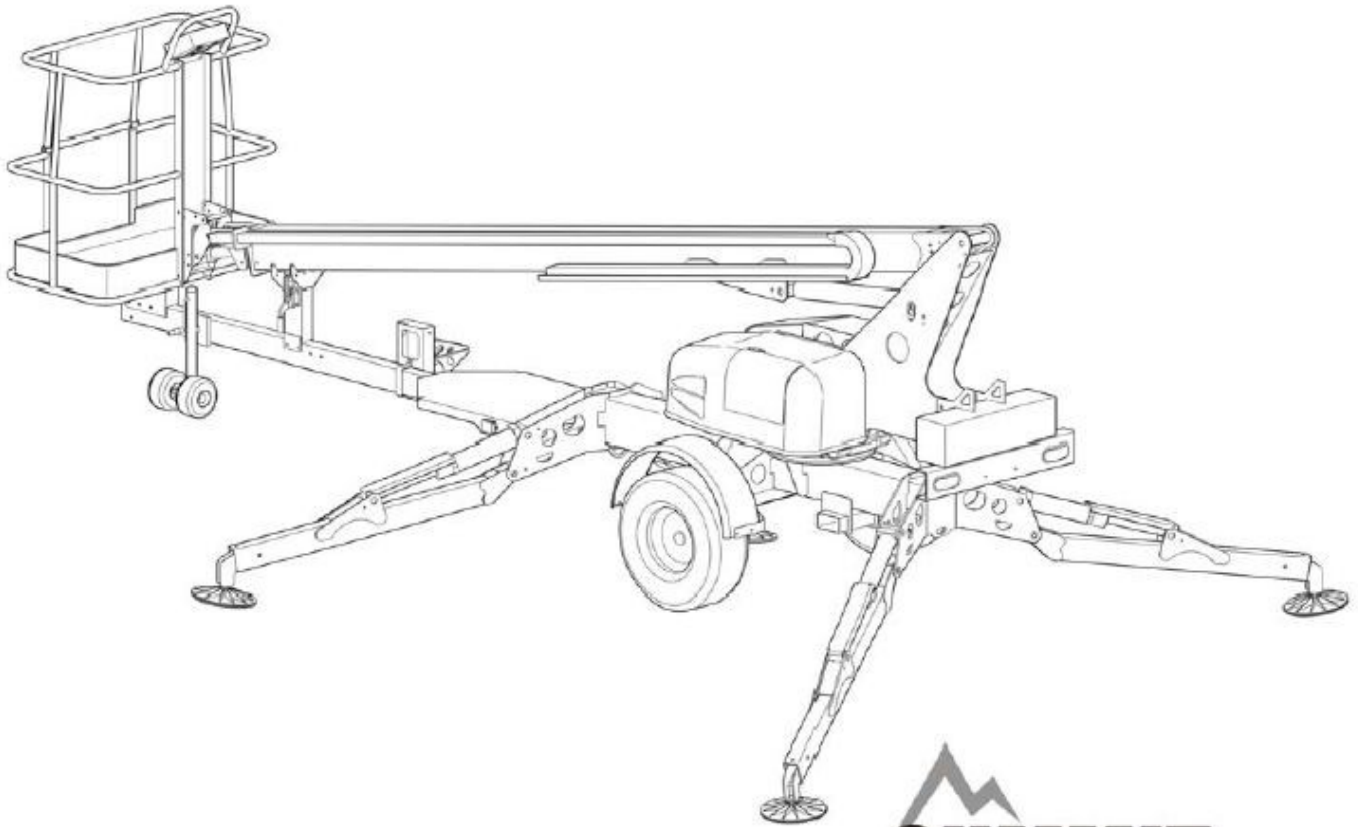




3632T / HTT 13



SUMMITSERIES
TRAILER-MOUNTED BOOMS™

Grants Rental

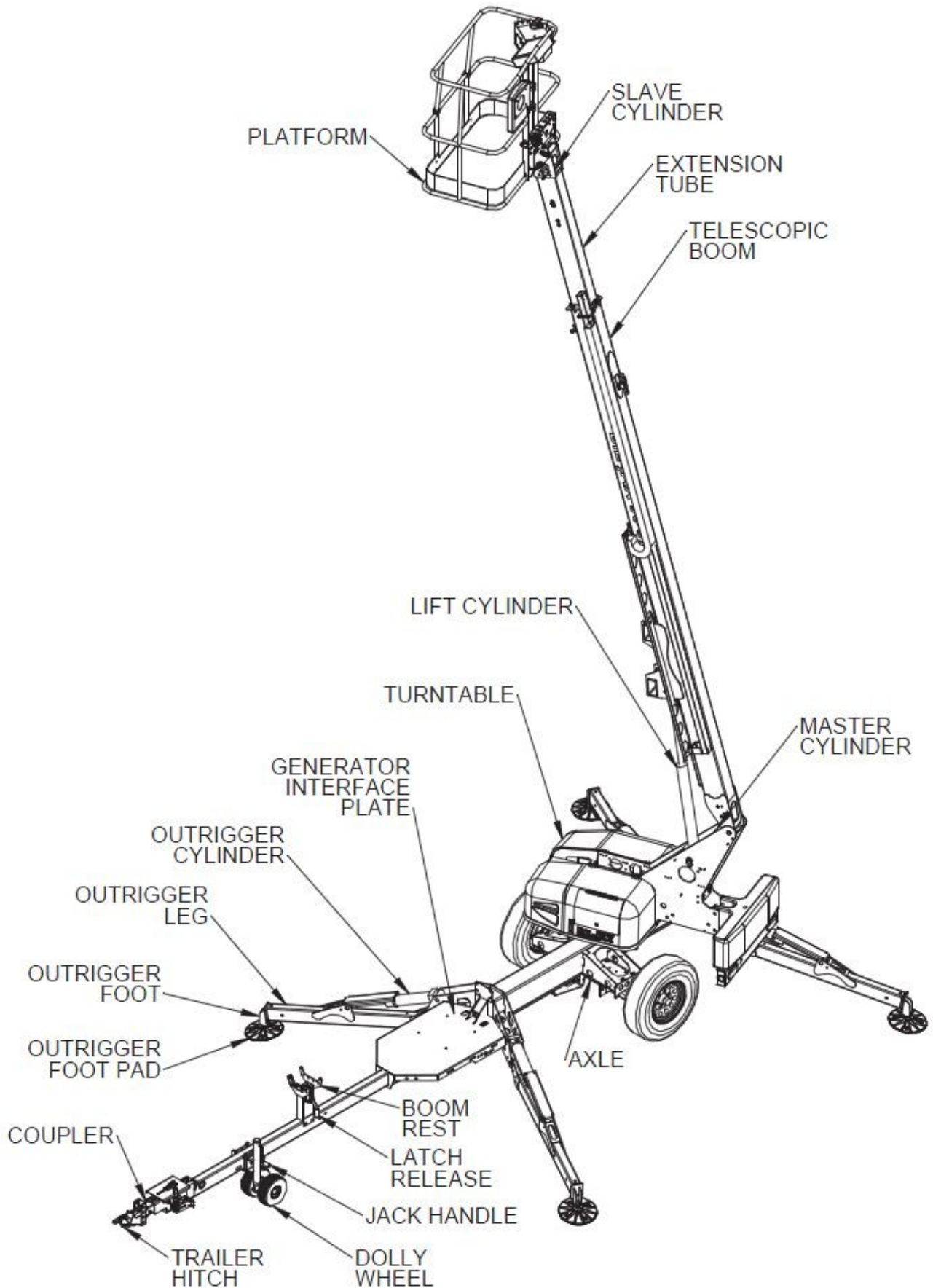
10 Bedford Park

Bridgewater, Massachusetts 02324

Phone: 508-279-0950

www.GrantsRental.com

PRIMARY MACHINE COMPONENTS



2 SPECIFICATIONS

The following information is based on ideal working conditions. Machine performance may vary based on work environment and on machine options.

Only one boom function is permitted at a time, this function is only operable as long as the boom is within the safe operating zone. Once a boom motion exceeds its safe operating limit, that function ceases, another boom function within the safe operating zone must be selected.

Refer to Figure 2-1.

RANGE OF MOTION

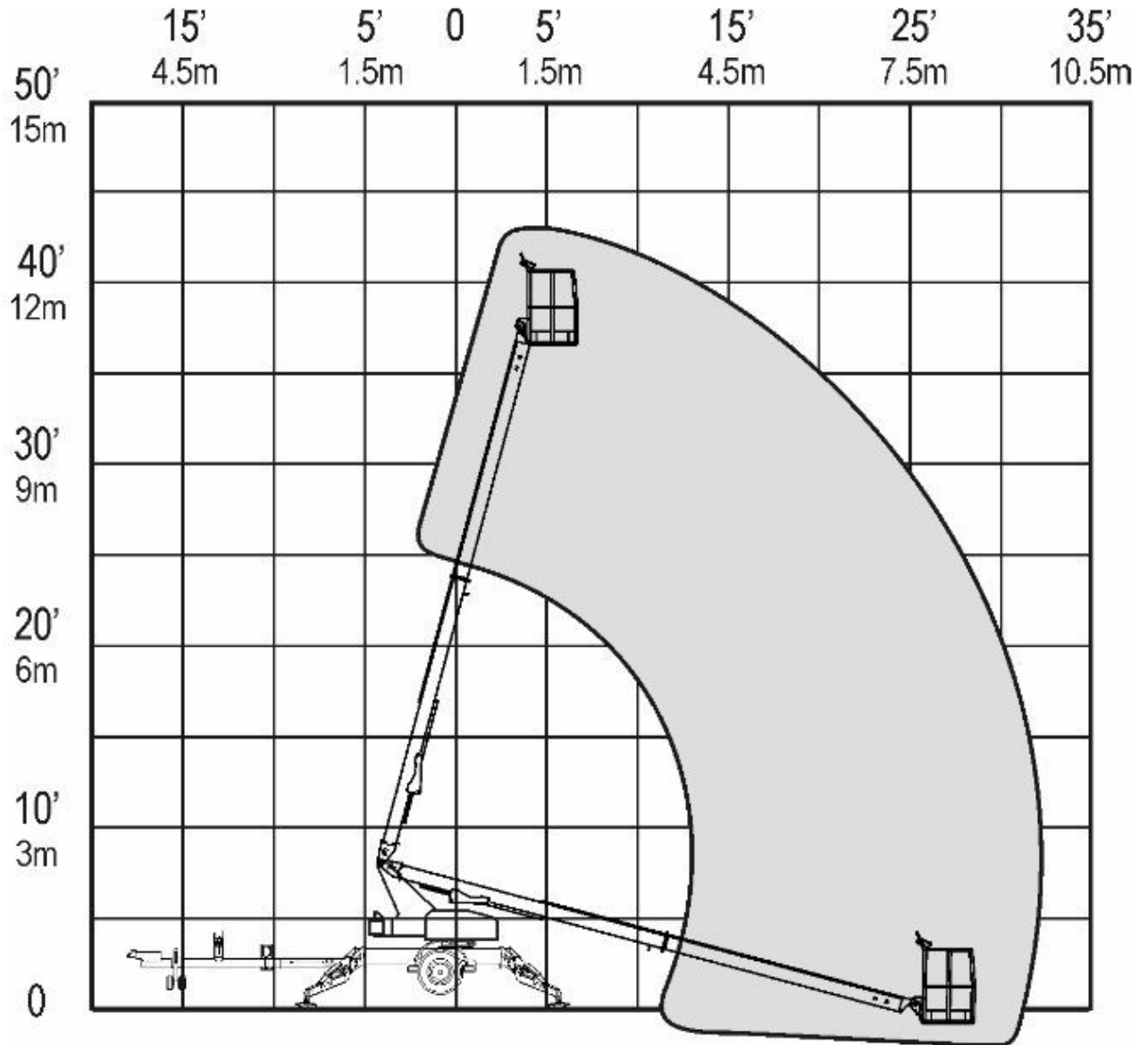


Figure 2-1. Range of Motion

SPECIFICATIONS

Serial Number _____

Maximum Working Height	43 ft 6 in (13.4 m)
Maximum Platform Height	37 ft 6 in (11.4 m)
Maximum Horizontal Outreach	
From Centerline	32 ft (9.8 m)
From Outrigger Footpad Edge	27 ft (8.2 m)
Rated Platform Capacity	
Without Platform Rotation	500 lb (227 kg)
With Platform Rotation	440 lb (200 kg)
Maximum Occupants	2
Total Weight	
Without Options	4,400 lb (1,996 kg)
Drive and set option adds 250 lbs (113 kg), Engine option adds 190 lbs (86 kg)	
All other options add 150 lbs (68 kg) to weight.	
Turntable Rotation	700° Non-Continuous
Leveling Capability	12.5°
Platform Dimensions	
Height	3 ft 7 in (1.1 m)
Length	2 ft 6 in (0.8 m)
Width	4 ft 0 in (1.2 m)
Platform Rotation (Option)	120° / Manual
Machines Stowed Dimensions	
Height	6 ft 5 in (2.0 m)
Length	21 ft 11 in (6.7 m)
Width	5 ft 5 in (1.7 m)
Outrigger Footprint (To Center of Pad)	
Length	12 ft 4 in (3.8 m)
Width	11 ft 4 in (3.5 m)
Footpad Diameter	12.5 in (0.3 m)
Parking Brake	Mechanical
Towing Brake	Hydraulic Surge Mechanical Electrical
Rated Towing Speed	65 mph (105 km/h)
Tire Size	ST 225/75 R15D
Control System	24V DC
Battery	4 x 6V 245 amp-hr
Chargers	110 Volt 60 Hz 220 Volt 50 Hz

SPECIFICATIONS (CONTINUED)

Hydraulic Pressure	3,000 psi (207 bar) (20,684 kPa)
Reservoir Capacity	4.8 Gallons (18.2 L)
Hydraulic System Capacity	7.0 Gallons (26.5 L)
Hydraulic Oil (Standard)	HVI AW32
Maximum Decibel Level	
DC Mode – Ground (Lower)	60 dBA
DC Mode – Platform (Upper)	55 dBA
Engine Mode – Ground (Lower)	70 dBA
Engine Mode – Platform (Upper)	65 dBA
Function Speeds	
Boom	
Boom Raise (Fast)	22-26 sec
Boom Raise (Slow)	48-52 sec
Boom Lower (Fast)	26-60 sec
Boom Lower (Slow)	1130-134 sec
Extension Boom	
Boom Extend (Fast)	34-38 sec
Boom Extend (Slow)	72-76 sec
Boom Retract (Fast)	42-16 sec
Boom Retract (Slow)	90-94 sec
Turntable 700° Non Continuous Rotation	
Turntable Rotation (Fast)	188-192 sec
Turntable Rotation (Slow)	320-324 sec
Platform	
Platform Compensation - Up - Fast	4-8 sec
Platform Compensation - Up - Slow	5-9 sec
Platform Compensation - Down - Fast	3-7 sec
Platform Compensation - Down - Slow	3-7 sec
Outrigger (Auto Level)	
Outrigger Extend	15-19 sec
Outrigger Retract	30-34 sec
Localized Pressure per Outrigger	25 psi (1.8 kg/cm ²) (176.5 kPa)
Operating Temperature Range	-20° to 110° Fahrenheit (-29° to 43° Celsius)