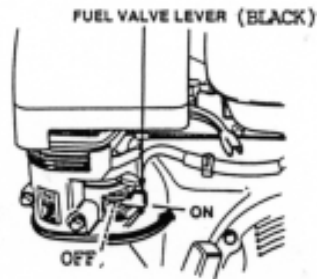


1

### STARTING THE ENGINE

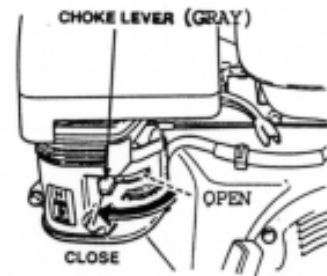
Move the fuel valve lever to the ON position.



2

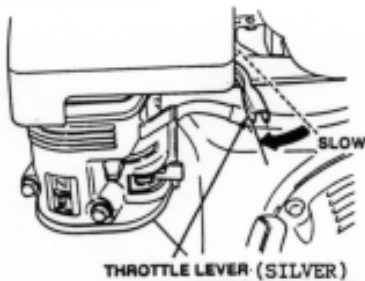
To start a cold engine, move the choke lever to the CLOSED position.

To restart a warm engine, leave the choke lever in the OPEN position.



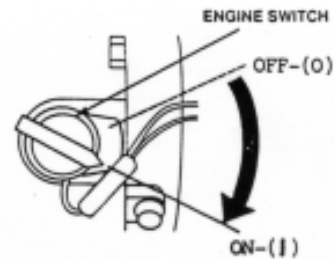
3

Move the throttle lever away from the SLOW position, about 1/3 of the way toward the FAST position.



4

Turn the engine switch to the ON position.

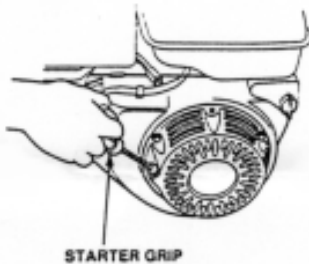


5

Operate the starter.

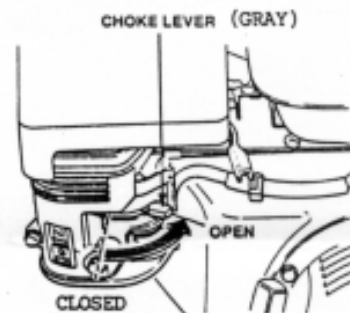
RECOIL STARTER (all engine types):

Pull the starter grip lightly until you feel resistance, then pull briskly. Return the starter grip gently.



6

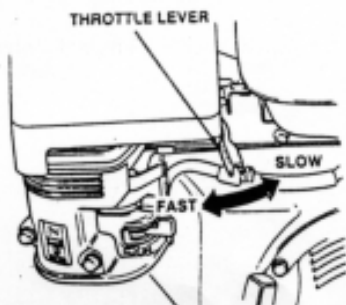
If the choke lever has been moved to the CLOSED position to start the engine, gradually move it to the OPEN position as the engine warms up.



7

### SETTING ENGINE SPEED

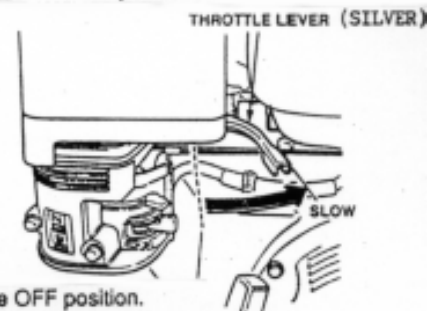
Position the throttle lever for the desired engine speed.



8

### STOPPING THE ENGINE

Move the throttle lever to the SLOW position.



2. Turn the engine switch to the OFF position.
3. Turn the fuel valve to the OFF position.