

TLB-425

SPECIFICATIONS
ALLMAND TLB-425

SPECIFICATIONS

Engine	Diesel: Kubota D1105, 25 hp, liquid-cooled
Transmission	Eaton HD servo-controlled hydrostatic (65 hp rated)
Drive Motor	Ross ME series
Power Steering	Load-sensing hydraulic steering with balanced steering cylinder
Differential	Limited slip
Speed Range	0 to 5.0 mph (0 to 8.0 km/h)
Front Drive	Gilchrist hydraulic assist (optional)
Aux. Hyd. Output	8 gpm @ 2,400 psi
Tires	Front: 23 x 10.5 - 12 Rear: 31 x 15.5 - 15
Capacities	Fuel: 12 gal. (45.6 L) Hydraulic oil: 12 gal. (45.6 L)
Loader	Single-lever joystick with bucket float Bucket capacity: 1/2 cu. yd. (.38 cu. m) Breakout force: 3,400 lbs. (1530 kg) Lift capacity: 2,100 lbs. (945 kg)
Brakes	Hydrostatic service brake Band type parking brake
Backhoe	ESL™ design Digging force: 4,611 lbs. (2075 kg) at bucket 2,424 lbs. (1091 kg) at dipper Digging depth: 9 ft. 6 in. (2.9 m) (8 ft. 4 in. [2.54 m] 2 ft. flat bottom) Buckets: 10 in. (25.4 cm), 12 in. (30.5 cm), 16 in. (std.) (40.6 cm), 18 in. (45.7 cm), 24 in. (61 cm), 36 in. (91.4 cm) 180-degree swing arc with cushioned swing cylinders Steel grouser pads Stabilizers extend to 10 in. (25.4 cm) below grade
Transportation Length	13 ft. 7 in. (4.14 m)
Weight	4,250 lbs. (1913 kg)



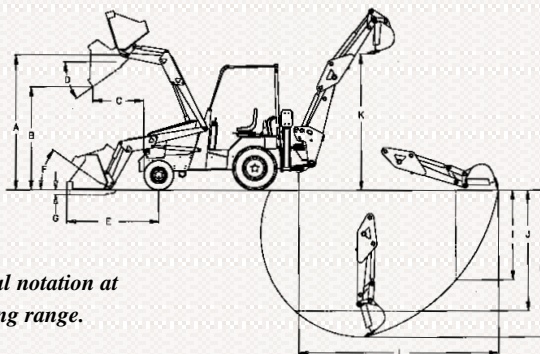
WORKING RANGE

- A. Maximum lift height (bucket pivot): 90 in. (2.29 m)
- B. Clearance with bucket dumped: 71 in. (1.80 m)
- C. Reach @ maximum height: 30 in. (76.2 cm)
- D. Bucket dump angle: 30 degrees
- E. Reach @ grade: 49.5 in. (1.26 m)
- F. Bucket rollback angle: 30 degrees
- G. Loader digging depth: 3.25 in. (8.26 cm)
- H. Backhoe digging depth: 9 ft. 6 in. (2.9 m)
(8 ft. 4 in. [2.54 m] 2 ft. flat bottom)
- I. Straight wall digging depth: 3 ft. 2 in. (96.52 cm)
- J. Digging depth (8 ft. flat bottom): 6 ft. 7 in. (2 m)
- K. Maximum loading height: 7 ft. 7 in. (2.31 m)
- L. Reach from swing post: 11 ft. 3 in. (3.43 m)

DIMENSIONS

Length	16 ft. 10 in. (5.13 m)
Height	84.5 in. (2.15 m) (ROPS)
Width	56 in. (1.42 m)
Wheelbase	65 in. (1.65 m)
Bucket width	56 in. (1.42 m)
Ground clearance	11 in. (28 cm)

Photos shown
may include
non-standard
equipment.
Specifications
are subject to
change without
prior notice.



See alphabetical notation at
right for working range.

Sold and serviced by:



Reliability,
performance,
and integrity
backed by over
60 years of
experience.

Made in USA

015TLB20

Allmand

Allmand Bros. Inc.
P.O. Box 888
Holdrege, NE 68949
800-562-1373
308-995-4495
Fax: 308-995-5887
www.allmand.com